

LOGIX[®]
BRANDS

ENGINEERED INSULATION PRODUCTS

PRODUCT CATALOGUE





ELEMENTICF[®]
LOGIX BRANDS



LOGIXBRANDS.COM



CONTENTS

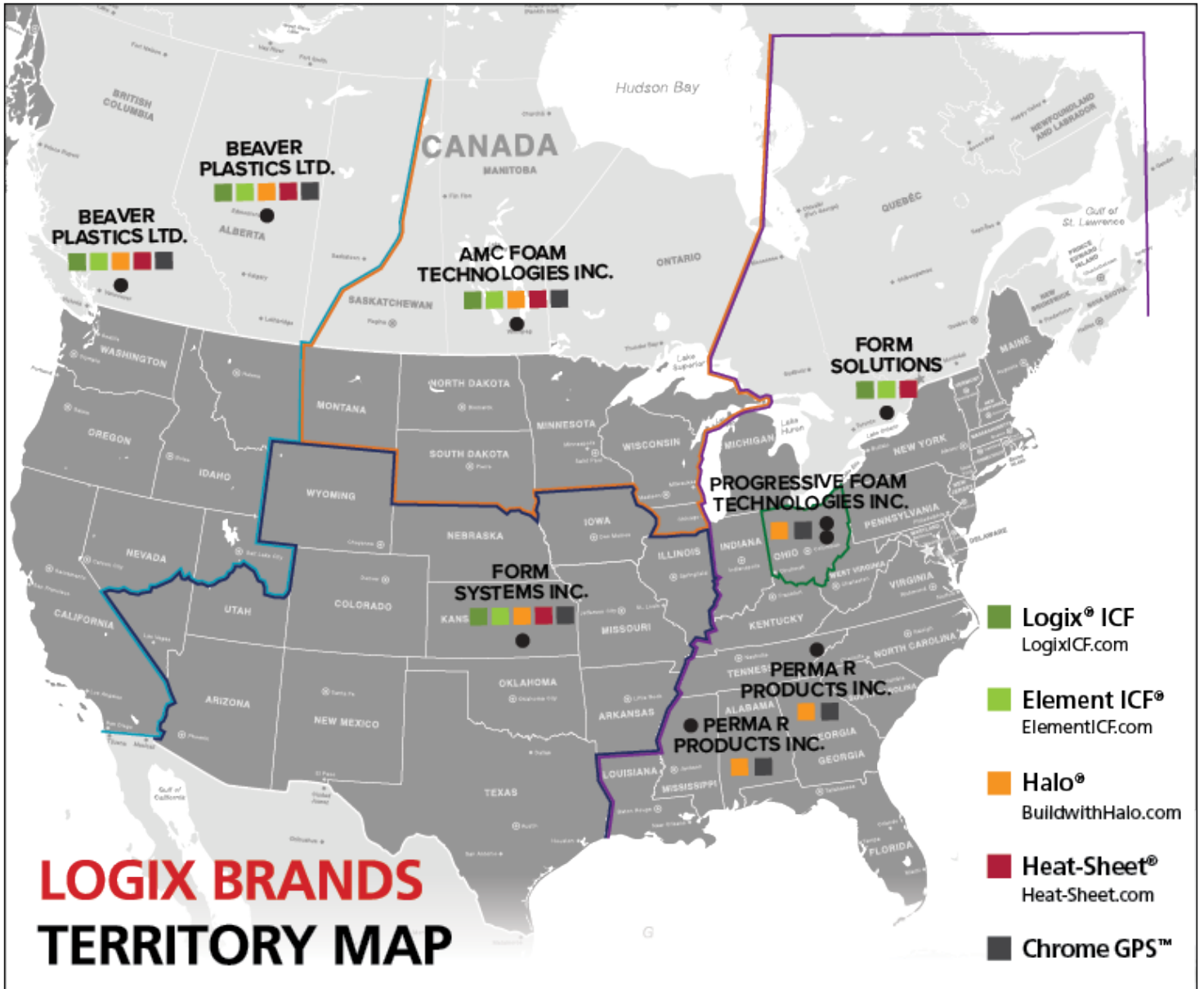
Our Consortium	2
 Element ICF®	3
 Halo®	8
 Heat-Sheet®	12
 ChromeGPS™	14
HD HD Panels™	17

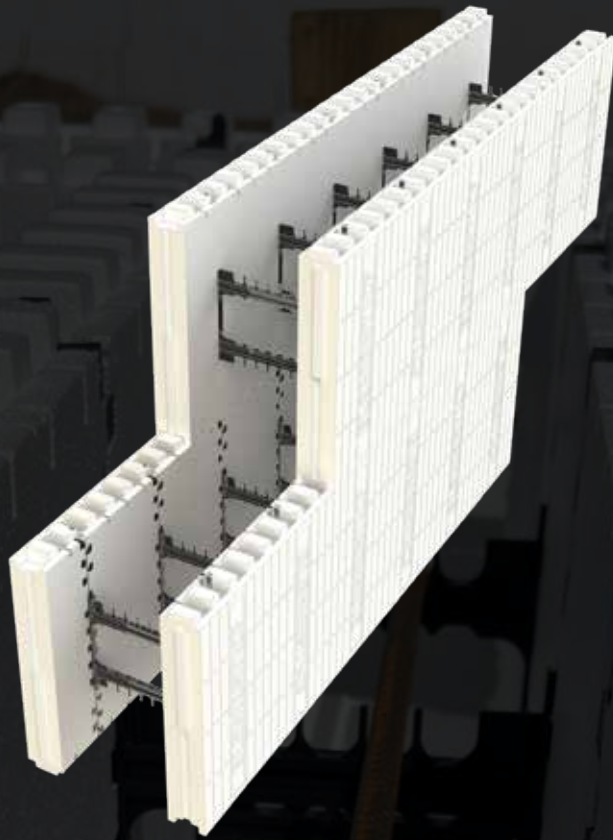
© Copyright Logix Brands Ltd. (2024) All rights reserved.

No part of the work contained herein as covered by this copyright may be reproduced or used in any form, or any means – graphic, electronic or mechanical, including without limitation photocopying. By using these products, you agree to assume all risks associated therewith. See LogixBrands.com/Disclaimer-General for a full copy of disclaimer.

OUR CONSORTIUM

We are a consortium of EPS molders. We offer the strength, stability and resources of a multinational organization while providing the support and attentive service that you would expect of a nimble local business.

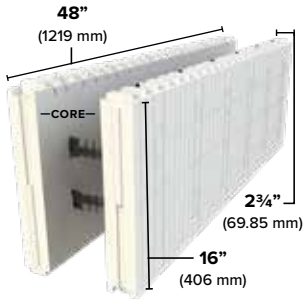




ELEMENTICF®

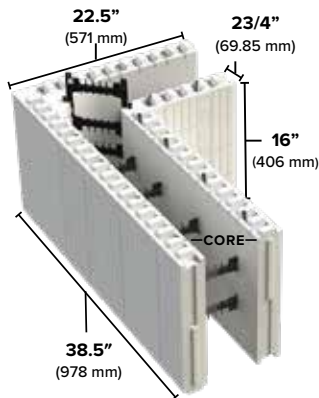
LOGIX BRANDS

**An Innovative Hybrid ICF System
Offering an Ingenious Lineup of Interchangeable
Preformed and Site-Assembled Blocks.**



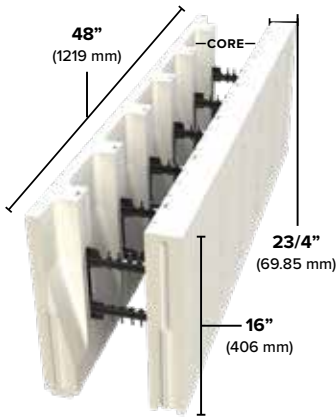
STANDARD BLOCK

Part Number	Core Size	Product Description	Sq. Ft. Per Block	Pcs Per Cube	Cube Dimensions L x W x H	R-Value*
	6"	Standard Block	5.33	14	46" x 48" x 53"	R-24
	8"	Standard Block	5.33	14	54" x 48" x 53"	R-24



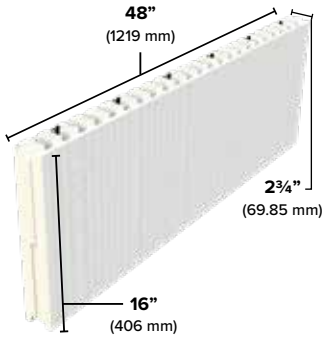
90 DEGREE CORNER BLOCK

Part Number	Core Size	Product Description	Sq. Ft. Per Block	Pcs Per Cube	Cube Dimensions L x W x H	R-Value*
	6"	90 Degree Corner Block	6.78	6	38.5" x 49" x 34"	R-24
	8"	90 Degree Corner Block	6.78	6	38.5" x 49" x 36"	R-24



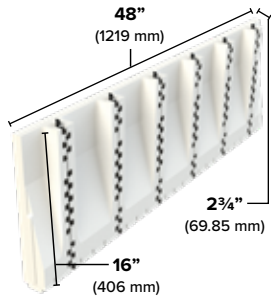
TAPER TOP BLOCKS

Part Number	Core Size	Product Description	Sq. Ft. Per Block	Pcs Per Cube	Cube Dimensions L x W x H	R-Value*
	6"	Taper Top Blocks				R-21
	8"	Taper Top Blocks				R-21



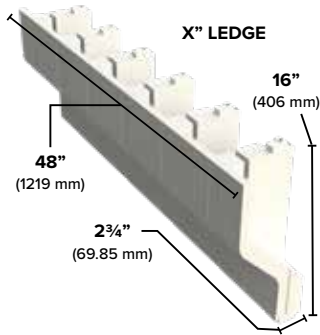
STANDARD PANEL

Part Number	Core Size	Product Description	Sq. Ft. Per Block	Pcs Per Cube	Cube Dimensions L x W x H	R-Value*
	N/A	Standard Panel	5.33	6	17" x 48" x 16.5"	R-24



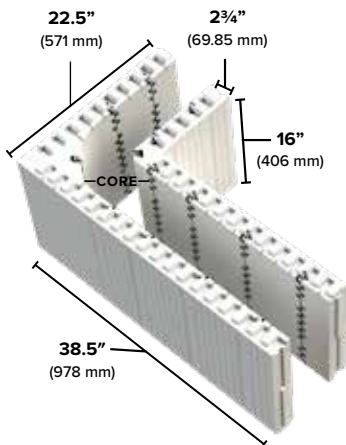
TAPER TOP PANEL

Part Number	Core Size	Product Description	Sq. Ft. Per Block	Pcs Per Cube	Cube Dimensions L x W x H	R-Value*
	N/A	Taper Top Panel	5.33	6	17" x 48" x 16.5"	R-21



BRICK LEDGE PANEL

Part Number	Core Size	Product Description	Sq. Ft. Per Block	Pcs Per Cube	Cube Dimensions L x W x H	R-Value*
	N/A	Brick Ledge Panel	5.33	4	19" x 49" x 20.25"	R-21

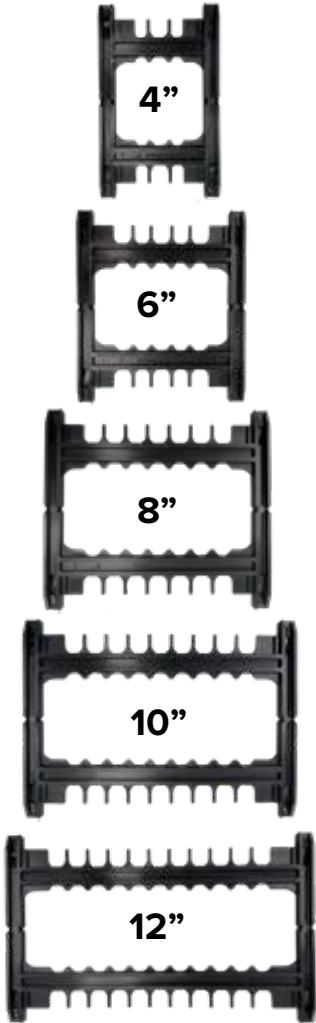


90 DEGREE CORNER PANEL

Part Number	Core Size	Product Description	Sq. Ft. Per Block	Pcs Per Cube	Cube Dimensions L x W x H	R-Value*
	4"	90 Degree Corner Block (2 panels/block)	6.78	12	38.5" x 49" x 50.5"	R-24
	10"	90 Degree Corner Block (2 panels/block)	6.78	12	38.5" x 49" x 50.5"	R-24
	12"	90 Degree Corner Block (2 panels/block)	6.78	12	38.5" x 49" x 50.5"	R-24

This Product Guide is intended to provide an overview of our primary product lines. The products shown may not be offered by every plant in our consortium. Some products are regionally available and packaging may vary. Please confirm product availability with your regional plant.

* Thickness x Width x Length



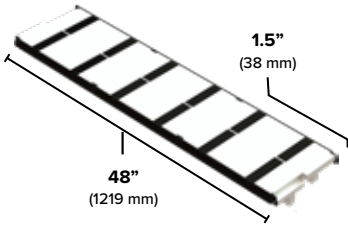
FLEXTIES™

Part Number	Core Size	Product Description	Units	Pcs Per Box	Box Dimensions L x W x H
	4"	Flextie	Box	60	16.5" x 5.5" x 12.25"
	6"	Flextie	Box	60	16.5" x 7.5" x 12.25"
	8"	Flextie	Box	60	16.5" x 9.5" x 12.25"
	10"	Flextie	Box	60	16.5" x 11.5" x 12.25"
	12"	Flextie	Box	60	16.5" x 13.5" x 12.25"
	6", 8"	Corner Flextie	Box		

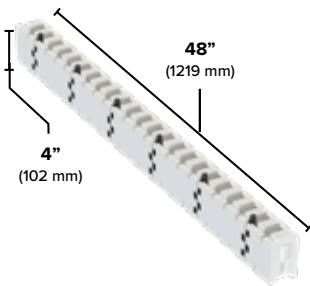
GUIDELINES FOR CALCULATING THE # OF FLEXTIES TO ORDER

(Note: There are 60 Flexties per box, all sizes.)

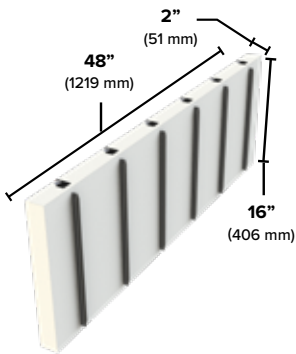
6 Flexties	Per Straight Block
7 Flexties	Per 90 Corner Block
12 Flexties	Per Straight Block, if you are making 2 half-height blocks
Add 1 Flextie	Per 90 Corner Block, if you are perma-locking the 90 corners only
Add 2 Flexties	Per Straight Block, if you are perma-locking all the straight blocks
Add 5%	For a typical buffer for loss, damage, misc.



PRO BUCK				
Part Number	Core Size	Product Description	Pcs Per Bag	Cube Dimensions L x W x H
	6"	Pro Buck	6	49" x 11.5" x 18"
	8"	Pro Buck	6	49" x 13.5" x 18"



HEIGHT ADJUSTER				
Part Number	Core Size	Product Description	Pcs Per Bag	Cube Dimensions L x W x H
	N/A	4" Height Adjuster	24	48" x 17" x 18"

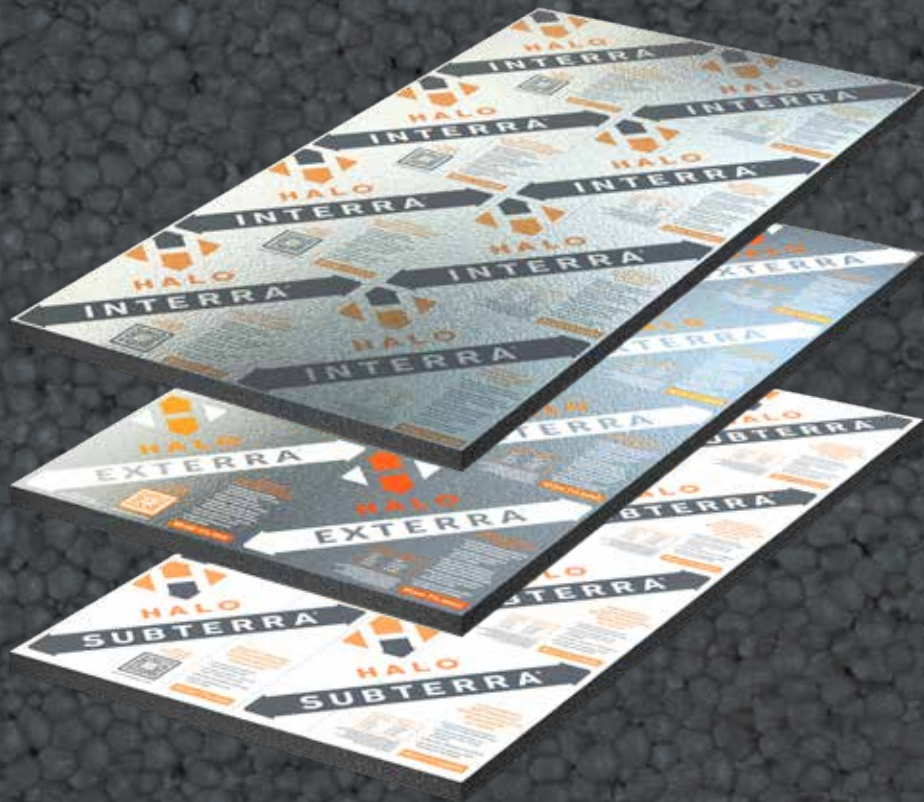


XRV™ Panels				
Part Number	Core Size	Product Description	Pcs Per Bag	Cube Dimensions L x W x H
	N/A	XRV Panel	6	48" x 15 1/2" x 16"

This Product Guide is intended to provide an overview of our primary product lines. The products shown may not be offered by every plant in our consortium. Some products are regionally available and packaging may vary. Please confirm product availability with your regional plant.



HALO[®]



ADVANCED GRAPHITE INSULATION



HALO® EXTERRA®

Type 1 / 10 psi Advanced Breathable Exterior Insulating Sheathing

Part Number	Product Size	Edge Treatment	Sq.ft./ Piece	Pieces Per Bundle / Skid	Board Feet Per Piece / Bundle	R-Value* / Nominal Inch (Based On 1 1/16")
	5/8" x 48" x 96"	Butt Edge	32	20/160?	16 / 384	R-3
	1-1/16" x 48" x 96"	Butt Edge	32	12 / 96	32 / 384	R-5
	1-5/8" x 48" x 96"	Butt Edge	32	8 / 64	48 / 384	R-7.5
	2-1/8" x 48" x 96"	Butt Edge	32	6 / 48	64 / 384	R-10
	5/8" x 48" x 108"	Butt Edge	36			R-3
	1-1/16" x 48" x 108"	Butt Edge	36	12 / 96	36 / 432	R-5
	1-5/8" x 48" x 108"	Butt Edge	36	8 / 64	54 / 432	R-7.5
	2-1/8" x 48" x 108"	Butt Edge	36	6 / 48	72 / 432	R-10
	5/8" x 48" x 120"	Butt Edge	40			R-3
	1-1/16" x 48" x 120"	Butt Edge	40	12 / 96	36 / 432	R-5
	1-5/8" x 48" x 120"	Butt Edge	40	8 / 64	54 / 432	R-7.5
	2-1/8" x 48" x 120"	Butt Edge	40	6 / 48	72 / 432	R-10



HALO® SUBTERRA®

Type 1 / 10 psi Below-Ground Water-Resistant Advanced Rigid Insulation

Part Number	Product Size	Edge Treatment	Sq.ft./ Piece	Pieces Per Bundle / Skid	Board Feet Per Piece / Bundle	R-Value* / Nominal Inch (Based On 1 1/16")
	1-1/16" x 48" x 96"	Butt Edge	32	12 / 96	32 / 384	R-5
	1-5/8" x 48" x 96"	Butt Edge	32	8 / 64	48 / 384	R-7.5
	2-1/8" x 48" x 96"	Butt Edge	32	6 / 48	64 / 384	R-10

This Product Guide is intended to provide an overview of our primary product lines. The products shown may not be offered by every plant in our consortium. Some products are regionally available and packaging may vary. Please confirm product availability with your regional plant.

* Thickness x Width x Length



ADVANCED GRAPHITE INSULATION



HALO® SUBTERRA® PLUS

Type 1 / 10 psi Below-Ground Water-Resistant Advanced Rigid Insulation

Part Number	Product Size	Edge Treatment	Sq.ft./ Piece	Pieces Per Bundle / Skid	Board Feet Per Piece / Bundle	R-Value* / Nominal Inch <i>(Based On 1 1/16")</i>
	1-1/16" x 48" x 96"	Butt Edge	32	12 / 96	32 / 384	R-5
	1-5/8" x 48" x 96"	Butt Edge	32	8 / 64	48 / 384	R-7.5
	2-1/8" x 48" x 96"	Butt Edge	32	6 / 48	64 / 384	R-10



HALO® INTERRA®

Type 1 / 10 psi Advanced Reflective Interior Rigid Insulation

Part Number	Product Size	Edge Treatment	Sq.ft./ Piece	Pieces Per Bundle / Skid	Board Feet Per Piece / Bundle	R-Value* / Nominal Inch <i>(Based On 1 1/16")</i>
	5/8" x 48" x 96"	Butt Edge	32			R-3
	1-1/16" x 48" x 96"	Butt Edge	32	12 / 96	32 / 384	R-5
	1-5/8" x 48" x 96"	Butt Edge	32	8 / 64	48 / 384	R-7.5
	2-1/8" x 48" x 96"	Butt Edge	32	6 / 48	64 / 384	R-10
	5/8" x 48" x 108"	Butt Edge	36			R-3
	1-1/16" x 48" x 108"	Butt Edge	36	12 / 96	36 / 432	R-5
	1-5/8" x 48" x 108"	Butt Edge	36	8 / 64	54 / 432	R-7.5
	2-1/8" x 48" x 108"	Butt Edge	36	6 / 48	72 / 432	R-10
	5/8" x 48" x 120"	Butt Edge	40			R-3
	1-1/16" x 48" x 120"	Butt Edge	40	12 / 96	36 / 432	R-5
	1-5/8" x 48" x 120"	Butt Edge	40	8 / 64	54 / 432	R-7.5
	2-1/8" x 48" x 120"	Butt Edge	40	6 / 48	72 / 432	R-10

Test results indicate the installation of Halo® Interra® with an air space can enhance its performance value.

This Product Guide is intended to provide an overview of our primary product lines. The products shown may not be offered by every plant in our consortium. Some products are regionally available and packaging may vary. Please confirm product availability with your regional plant.

** Thickness x Width x Length*

ADVANCED GRAPHITE INSULATION

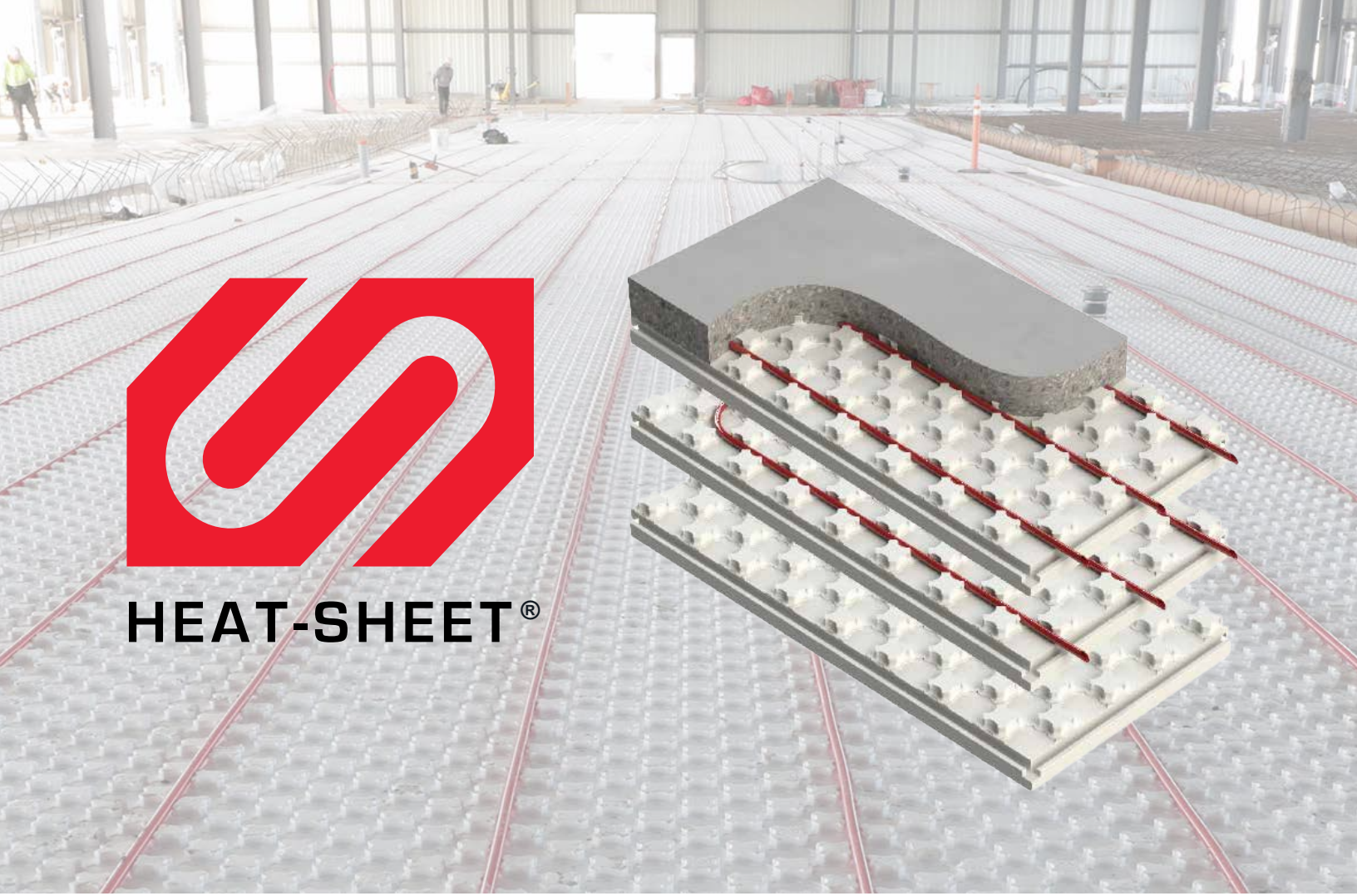


HALO® INTERRA® FR

Type 1 / 10 psi Advanced Reflective Interior Rigid Insulation

Part Number	Product Size	Edge Treatment	Sq.ft./ Piece	Pieces Per Bundle / Skid	Board Feet Per Piece / Bundle	R-Value* / Nominal Inch <i>(Based On 1 1/16")</i>
	5/8" x 48" x 96"	Butt Edge	32			R-3
	1-1/16" x 48" x 96"	Butt Edge	32	12 / 96	32 / 384	R-5
	1-5/8" x 48" x 96"	Butt Edge	32	8 / 64	48 / 384	R-7.5
	2-1/8" x 48" x 96"	Butt Edge	32	6 / 48	64 / 384	R-10
	5/8" x 48" x 108"	Butt Edge	36			R-3
	1-1/16" x 48" x 108"	Butt Edge	36	12 / 96	36 / 432	R-5
	1-5/8" x 48" x 108"	Butt Edge	36	8 / 64	54 / 432	R-7.5
	2-1/8" x 48" x 108"	Butt Edge	36	6 / 48	72 / 432	R-10
	5/8" x 48" x 120"	Butt Edge	40			R-3
	1-1/16" x 48" x 120"	Butt Edge	40	12 / 96	36 / 432	R-5
	1-5/8" x 48" x 120"	Butt Edge	40	8 / 64	54 / 432	R-7.5
	2-1/8" x 48" x 120"	Butt Edge	40	6 / 48	72 / 432	R-10

Test results indicate the installation of Halo® Interra® FR with an air space can enhance its performance value.



HEAT-SHEET®

HEAT-SHEET® PANELS

Type 3 / 30 psi



Part Number	Product Size	Edge Treatment	Sq.ft./ Piece	Pieces Per Bundle / Skid	R-Value*
	1.875" x 24" x 48"	Butt Edge	8	14 / 140	R-5.8
	2.375" x 24" x 48"	4-sided Interlock	8	10 / 100	R-8
	2.875" x 24" x 48"	4-sided Interlock	8	8 / 80	R-10.1
	3.375" x 24" x 48"	4-sided Interlock	8	6 / 60	R-12.3
	3.875" x 24" x 48"	4-sided Interlock	8	6 / 48	R-14.4

Accepts 1/2" tubing, 3" OC tube spacing.

This Product Guide is intended to provide an overview of our primary product lines. The products shown may not be offered by every plant in our consortium. Some products are regionally available and packaging may vary. Please confirm product availability with your regional plant.

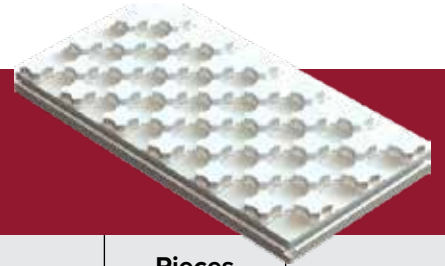
* Thickness x Width x Length

ADVANCED RADIANT FLOOR PANEL



HEAT-SHEET® HEAVY PANELS

Type 3 / 30 psi

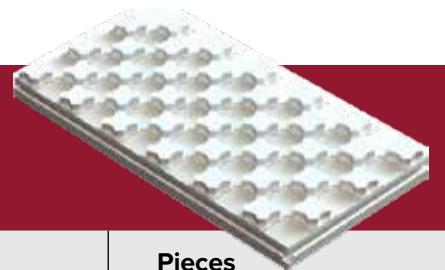


Part Number	Product Size	Edge Treatment	Sq.ft./ Piece	Pieces Per Bundle / Skid	R-Value*
	2.7" x 24" x 48"	4-sided interlock	8	10 / 80	R-8
	3.2" x 24" x 48"	4-sided Interlock	8	8 / 64	R-10.1
	3.7" x 24" x 48"	4-sided interlock	8	8 / 60	R-12.3
	4.1" x 24" x 48"	4-sided interlock	8	8 / 48	R-14.4

Accepts 1/2", 5/8" and 3/4" tubing. 4" OC tube spacing.

HEAT-SHEET® HEAVY PANELS

Type 3 / 60 psi



Part Number	Product Size	Edge Treatment	Sq.ft./ Piece	Pieces Per Bundle / Skid	R-Value*
	2.7" x 24" x 48"	4-sided interlock	8	10 / 80	R-8
	3.2" x 24" x 48"	4-sided Interlock	8	8 / 64	R-10.1
	3.7" x 24" x 48"	4-sided interlock	8	6 / 60	R-12.3
	4.1" x 24" x 48"	4-sided interlock	8	6 / 48	R-14.4

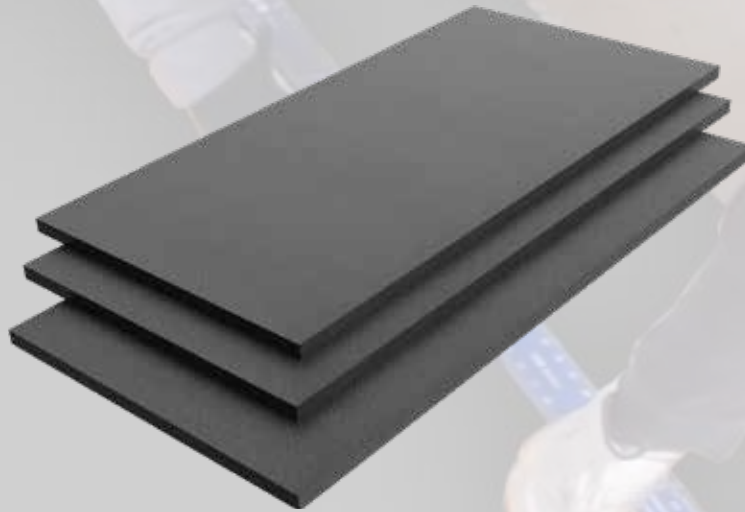
Accepts 1/2", 5/8" and 3/4" tubing. 4" OC tube spacing.

This Product Guide is intended to provide an overview of our primary product lines. The products shown may not be offered by every plant in our consortium. Some products are regionally available and packaging may vary. Please confirm product availability with your regional plant.

** Thickness x Width x Length*

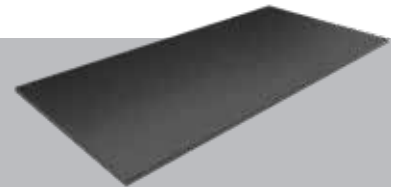
CHROME GPS

PROFESSIONAL GRADE GRAPHITE INSULATION



Chrome GPS™ 1000

Type I / 10 psi Graphite Polystyrene (GPS) Rigid Foam Insulation



Part Number	Product Size	Edge Treatment	Sq.ft./ Piece	Pieces Per Bundle / Skid	Board Feet Per Piece / Bundle	R-Value* / Nominal Inch (Based On 1 1/16")
	1" x 48" x 96"	Butt Edge	32	12 / 96	32 / 384	R-5
	1.5" x 48" x 96"	Butt Edge	32	8 / 64	48 / 384	R-5
	2" x 48" x 96"	Butt Edge	32	6 / 48	64 / 384	R-5
	1" x 48" x 108"	Butt Edge	36	12 / 96	36 / 432	R-5
	1.5" x 48" x 108"	Butt Edge	36	8 / 64	54 / 432	R-5
	2" x 48" x 108"	Butt Edge	36	6 / 48	72 / 432	R-5

This Product Guide is intended to provide an overview of our primary product lines. The products shown may not be offered by every plant in our consortium. Some products are regionally available and packaging may vary. Please confirm product availability with your regional plant.

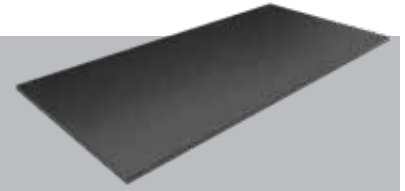
** Thickness x Width x Length*

GRAPHITE POLYSTYRENE (GPS) RIGID FOAM INSULATION



Chrome GPS™ 1600

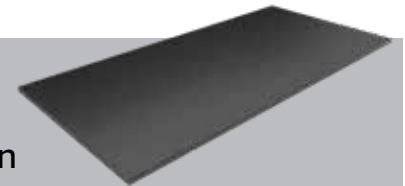
Type II / 16 psi Graphite Polystyrene (GPS) Rigid Foam Insulation



Part Number	Product Size	Edge Treatment	Sq.ft./ Piece	Pieces Per Bundle / Skid	Board Feet Per Piece / Bundle	R-Value* / Nominal Inch <i>(Based On 1 1/16")</i>
	1" x 48" x 96"	Butt Edge	32	12 / 96	32 / 384	R-5
	1.5" x 48" x 96"	Butt Edge	32	8 / 64	48 / 384	R-5
	2" x 48" x 96"	Butt Edge	32	6 / 48	64 / 384	R-5
	1" x 48" x 108"	Butt Edge	36	12 / 96	36 / 432	R-5
	1.5" x 48" x 108"	Butt Edge	36	8 / 64	54 / 432	R-5
	2" x 48" x 108"	Butt Edge	36	6 / 48	72 / 432	R-5

Chrome GPS™ 2000

Type III / 20 psi Graphite Polystyrene (GPS) Rigid Foam Insulation



Part Number	Product Size	Edge Treatment	Sq.ft./ Piece	Pieces Per Bundle / Skid	Board Feet Per Piece / Bundle	R-Value* / Nominal Inch <i>(Based On 1 1/16")</i>
	1" x 48" x 96"	Butt Edge	32	12 / 96	32 / 384	R-5
	1.5" x 48" x 96"	Butt Edge	32	8 / 64	48 / 384	R-5
	2" x 48" x 96"	Butt Edge	32	6 / 48	64 / 384	R-5
	1" x 48" x 108"	Butt Edge	36	12 / 96	36 / 432	R-5
	1.5" x 48" x 108"	Butt Edge	36	8 / 64	54 / 432	R-5
	2" x 48" x 108"	Butt Edge	36	6 / 48	72 / 432	R-5

This Product Guide is intended to provide an overview of our primary product lines. The products shown may not be offered by every plant in our consortium. Some products are regionally available and packaging may vary. Please confirm product availability with your regional plant.

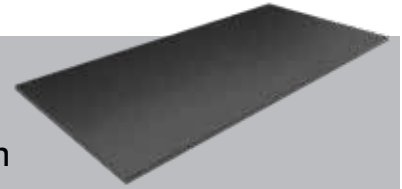
** Thickness x Width x Length*



GRAPHITE POLYSTYRENE (GPS) RIGID FOAM INSULATION

Chrome GPS™ 2500

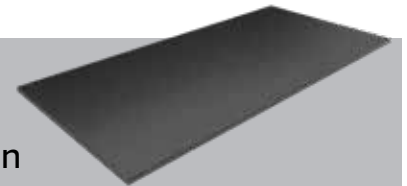
Type IX /25 psi Graphite Polystyrene (GPS) Rigid Foam Insulation



Part Number	Product Size	Edge Treatment	Sq.ft./ Piece	Pieces Per Bundle / Skid	Board Feet Per Piece / Bundle	R-Value* / Nominal Inch (Based On 1 1/16")
	1" x 48" x 96"	Butt Edge	32	12 / 96	32 / 384	R-5
	1.5" x 48" x 96"	Butt Edge	32	8 / 64	48 / 384	R-5
	2" x 48" x 96"	Butt Edge	32	6 / 48	64 / 384	R-5
	1" x 48" x 108"	Butt Edge	36	12 / 96	36 / 432	R-5
	1.5" x 48" x 108"	Butt Edge	36	8 / 64	54 / 432	R-5
	2" x 48" x 108"	Butt Edge	36	6 / 48	72 / 432	R-5

Chrome GPS™ 3000

Type IX / 30 psi Graphite Polystyrene (GPS) Rigid Foam Insulation

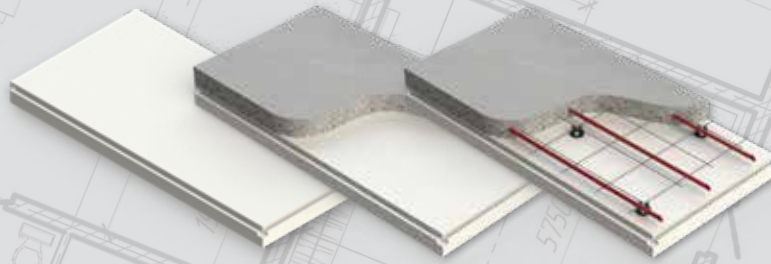


Part Number	Product Size	Edge Treatment	Sq.ft./ Piece	Pieces Per Bundle / Skid	Board Feet Per Piece / Bundle	R-Value* / Nominal Inch (Based On 1 1/16")
	1" x 48" x 96"	Butt Edge	32	12 / 96	32 / 384	R-5
	1.5" x 48" x 96"	Butt Edge	32	8 / 64	48 / 384	R-5
	2" x 48" x 96"	Butt Edge	32	6 / 48	64 / 384	R-5
	1" x 48" x 108"	Butt Edge	36	12 / 96	36 / 432	R-5
	1.5" x 48" x 108"	Butt Edge	36	8 / 64	54 / 432	R-5
	2" x 48" x 108"	Butt Edge	36	6 / 48	72 / 432	R-5

This Product Guide is intended to provide an overview of our primary product lines. The products shown may not be offered by every plant in our consortium. Some products are regionally available and packaging may vary. Please confirm product availability with your regional plant.

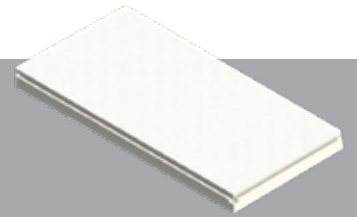
* Thickness x Width x Length

HD PANELS™



HD PANELS 300

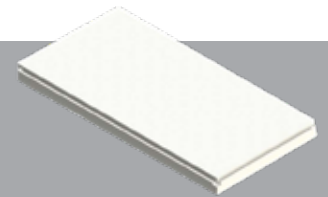
Type 3 / 30 psi Underslab Insulation



Part Number	Product Size	Edge Treatment	Sq.ft./ Piece	Pieces }Per Bundle / Skid	Board Feet Per Piece / Bundle	R-Value*
	2" x 24" x 48"	4-sided Interlock	8	10 / 100	16 / 160	R-8
	2.5" x 24" x 48"	4-sided Interlock	8	8 / 80	20 / 160	R-10

HD PANELS 600

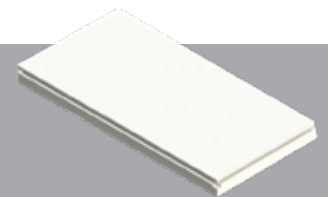
Type 3 / 60 psi Underslab Insulation



Part Number	Product Size	Edge Treatment	Sq.ft./ Piece	Pieces Per Bundle / Skid	Board Feet Per Piece / Bundle	R-Value*
	2" x 24" x 48"	4-sided Interlock	8	10 / 100	16 / 160	R-8
	2.5" x 24" x 48"	4-sided Interlock	8	8 / 80	20 / 160	R-10

HD PANELS 1000

Type 3 / 100 psi Underslab Insulation



Part Number	Product Size	Edge Treatment	Sq.ft./ Piece	Pieces Per Bundle / Skid	Board Feet Per Piece / Bundle	R-Value*
	2" x 24" x 48"	4-sided Interlock	8	10 / 100	16 / 160	R-8
	2.5" x 24" x 48"	4-sided Interlock	8	8 / 80	20 / 160	R-10

This Product Guide is intended to provide an overview of our primary product lines. The products shown may not be offered by every plant in our consortium. Some products are regionally available and packaging may vary. Please confirm product availability with your regional plant.

* Thickness x Width x Length



CONNECT WITH A LOCAL MANUFACTURER

888.838.5038

330 Cain Drive
Haysville, KS 67060-2004

888.453.5961

11581-272 St.
Acheson, AB T7X 6E9

888.706.7709

840 Division St.
Cobourg, ON K9A 5V2

888.453.5961

215-44393 Simpson Rd,
Chilliwack, British Columbia
Canada V2R 5M3

877.789.7622

35 Headingley Rd.
Headingley, MB R4H 0A8

info@LogixBrands.com

LogixBrands.com

LOGIX[®]
BRANDS
ENGINEERED INSULATION PRODUCTS